

FAILURE TO FOLLOW THESE INSTRUCTIONS COULD RESULT IN ENGINE DAMAGE AND VOID YOUR WARRANTY!!

INSTALLATION:

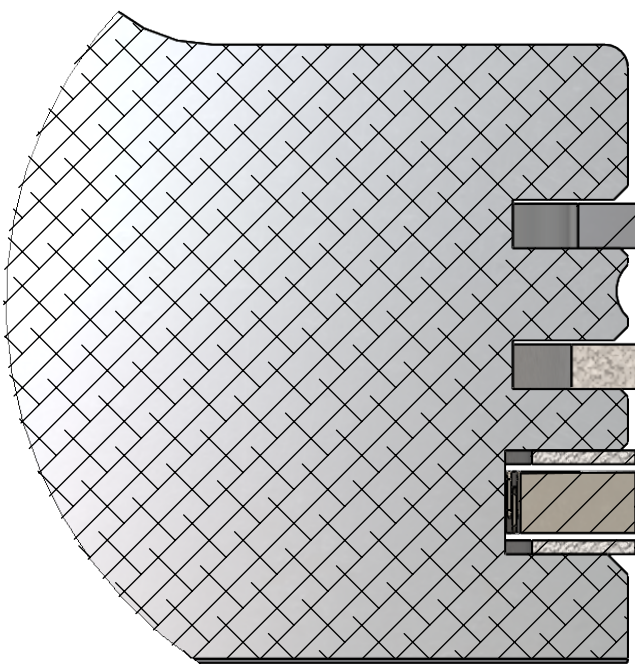
1. INSPECT ALL COMPONENTS FOR MISSING OR DAMAGED ITEMS
2. GAP THE RINGS, REFER TO PAGE 2 FOR MORE INFORMATION
3. CLEAN
 - CYLINDER BORES WITH BRAKE CLEANER, WIPE WITH CLEAN WHITE TOWEL REPEAT UNTIL TOWEL IS NO LONGER DIRTY
 - PISTONS, RINGS, WRIST PIN BORES, AND WRIST PINS (INSIDE AND OUT) WITH RED SOLVENT OIL
 - WRIST PIN AREA OF CONNECTING RODS
 - ALL GASKET SURFACES SHOULD BE CLEANED AND DRY DURING ASSEMBLY
4. COAT ALL COMPONENTS WITH RED SOLVENT OIL, INCLUDING CYLINDER BORE
5. INSTALL
 - BASE GASKET WITH CASE SEALER ON TOP AND BOTTOM
 - PISTON ONTO CONNECTING ROD, VERIFY CIRCLIPS ARE SEATED
 - RINGS ONTO PISTONS, REFER TO PAGE 2 FOR MORE INFO
6. USING A RING COMPRESSION TOOL, COMPRESS THE RINGS
7. SLIDE CLEANED AND LUBRICATED CYLINDER OVER THE PISTON AND RINGS
NOTE: IF ANY RING SHOULD POP OUT, REMOVE THE CYLINDER AND START OVER
8. APPLY 20W-50 ENGINE OIL TO THE THREADS OF ALL CYLINDER HEAD NUTS, NUT BASES, AND WASHERS BEFORE INSTALLING THEM
9. TORQUE CYLINDER HEAD USING FACTORY TORQUE SPECS (SEE PAGE 3 FOR MORE INFO)

ENGINE BREAK-IN GUIDELINES:

1. BUILD OIL PRESSURE: REMOVE THE SPARK PLUGS AND CRANK THE ENGINE FOR NO MORE THAN 6 SECONDS, REPEAT 5-6 TIMES
2. HEAT CYCLING: START THE ENGINE, BRING IT TO NORMAL OPERATING TEMPERATURE, THEN LET IT COOL TO ROOM TEMPERATURE, REPEAT 3 TIMES
3. TUNE ENGINE (A PROFESSIONAL TUNE IS RECOMMENDED AND REQUIRED BEFORE MAKING ANY DYNO PULLS). THE FINAL TUNE WILL NEED TO BE COMPLETED AFTER THE ENGINE IS BROKEN-IN.
4. **A.) IF BREAKING IN ON THE DYNO**, REEMEMBER TO LET ENGINE SLOW USING DYNO WHEEL ONLY BETWEEN PULLS
CYCLE 1 - BRING ENGINE TO OPERATING TEMP, PERFORM 3 PULLS AT 50% THROTTLE FROM 1500-3000 RPM, ALLOW ENGINE TO COOL TO ROOM TEMPERATURE
CYCLE 2 - BRING ENGINE TO OPERATING TEMP, PERFORM 3 PULLS AT 75% THROTTLE FROM 2500-5000 RPM, ALLOW ENGINE TO COOL TO ROOM TEMPERATURE
CYCLE 3 - BRING ENGINE TO OPERATING TEMP, PERFORM 3 PULLS AT 100% THROTTLE FROM 3000-5500 RPM, ALLOW ENGINE TO COOL TO ROOM TEMPERATURE
B.) IF BREAKING IN ON THE STREET
RIDE 50 MILES, VARY THROTTLE INPUT, AVOID PROLONGED IDLING, DO NOT EXCEED 3000RPM
5. CHANGE OIL AND FILTER USING 20W50 BEL-RAY V-TWIN MINERAL OIL AND A HIGH FLOW FILTER (SUCH AS A FLO RESUSABLE FILTER)
6. RIDE 500 MILES, VARY THROTTLE INPUT, AVOID PROLONGED IDLING, AVOID EXCEEDING 5500RPM
 - USE THIS TIME TO COMPLETE TUNING THE ENGINE
 - A SMALL AMOUNT OF OIL USAGE DURING THIS TIME IS NORMAL AND WILL STABILIZE AFTER BREAK-IN
7. CHANGE OIL AND FILTER USING 20W50 BEL-RAY V-TWIN MINERAL OIL (SEMI OR FULL SYNTHETIC)
8. CHANGE OIL AND FILTER EVERY 2500 MILES FOR THE LIFE OF YOUR ENGINE

*IF ANY COMPONENTS ARE DAMAGED DURING INSTALLATION, PLEASE CONTACT REVOLUTION PERFORMANCE AT 866-892-2109 FOR REPLACEMENTS





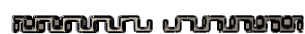
CROSS-SECTION OF PISTON & RINGS

TOP RING (CHROME)- INSTALL WITH DOT OR LETTER FACING UP
 MIN RING GAP IS BORE x .0045" (FOR EXAMPLE: 4.25"x.0045"= .019" MIN GAP)
 MAX RING GAP IS +.004" (FOR EXAMPLE: .019"+.004"=.023" MAX GAP)

2ND RING (BLACK) - INSTALL WITH DOT OR LETTER FACING UP
 MIN RING GAP IS BORE x .005" (FOR EXAMPLE: 4.25"x.005"=.021" MIN GAP)
 MAX RING GAP IS +.004" (FOR EXAMPLE: .021"+.004"=.025" MAX GAP)

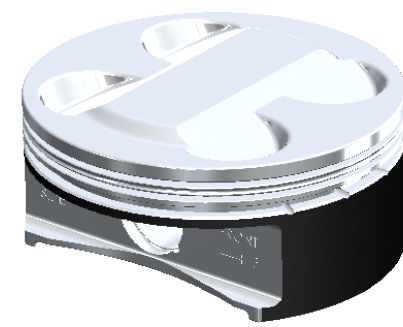
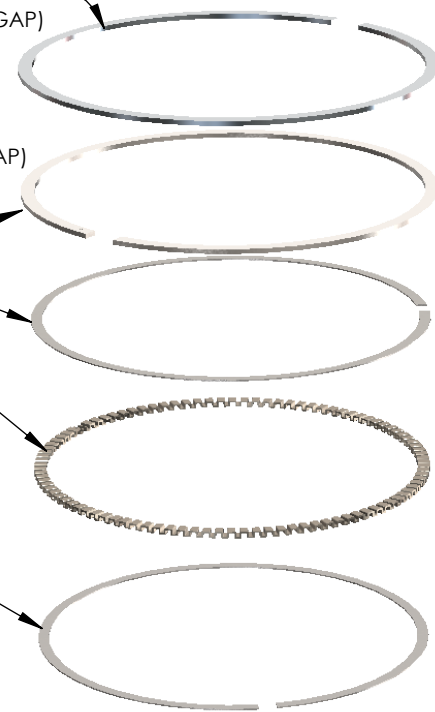
TOP SCRAPER RAIL
 (NO GAPPING REQUIRED)

EXPANDER RAIL



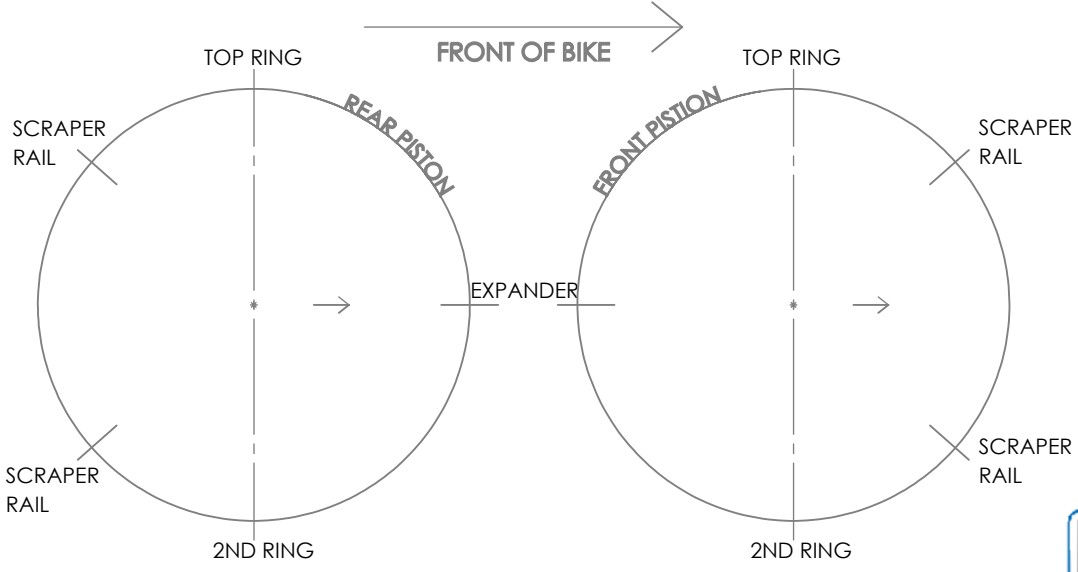
↑
UP

BOTTOM SCRAPER RAIL
 (NO GAPPING REQUIRED)



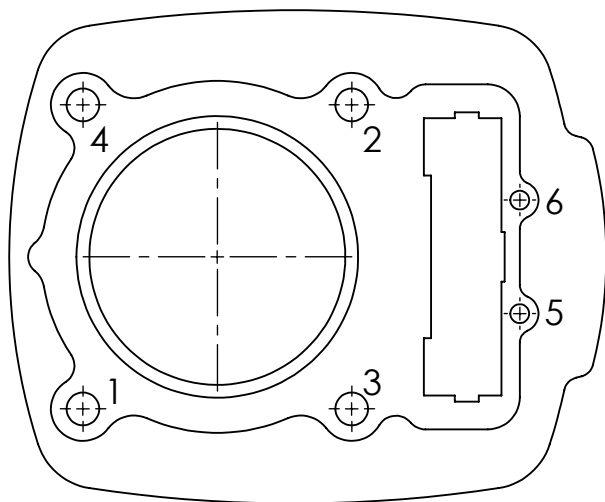
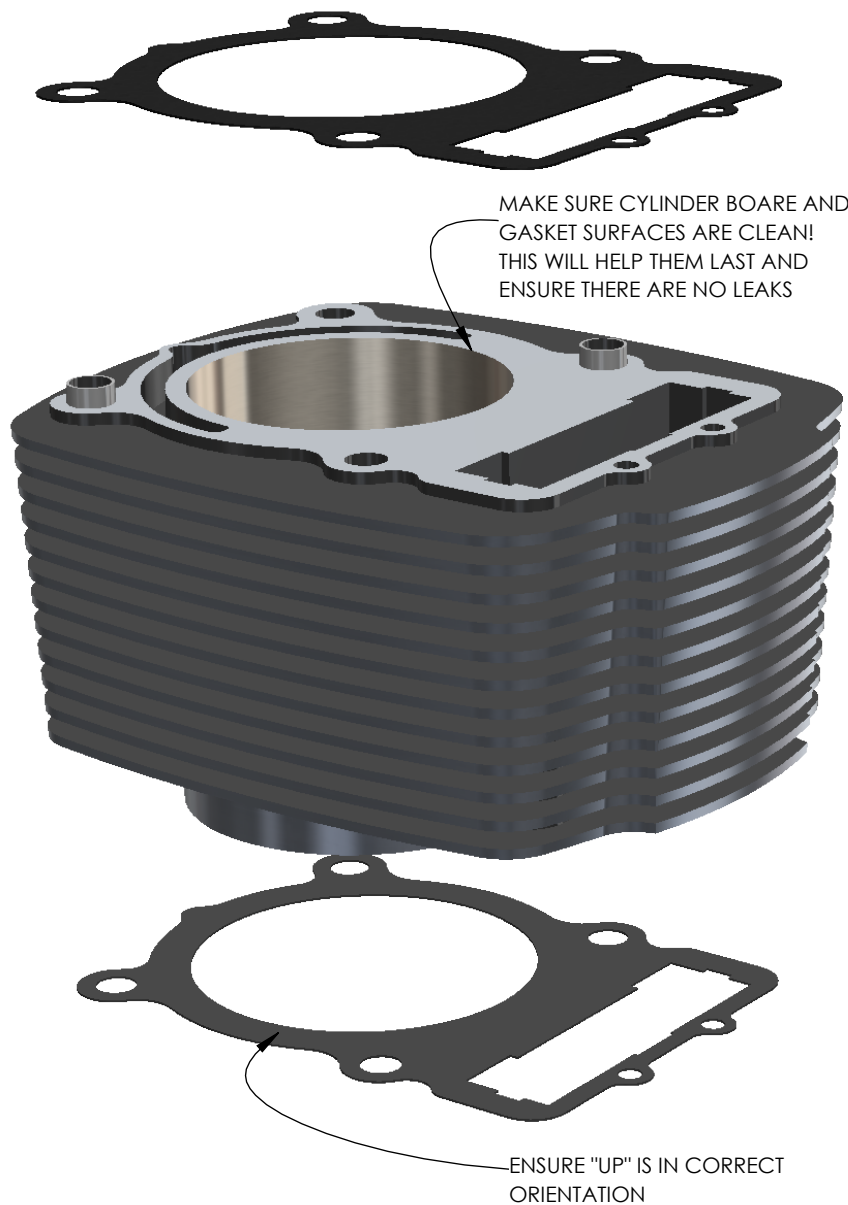
FRONT PISTON SHOWN

RING GAPS



REVOLUTION PERFORMANCE

- ALL COMPONENTS SHOULD BE THOROUGHLY CLEANED BEFORE BEGINNING ASSEMBLY (REFER TO PAGE 1)
- CYLINDER BORE, PISTON, RINGS, AND WRIST PIN SHOULD BE GENEROUSLY COATED WITH RED SOLVENT OIL BEFORE ASSEMBLY
- USE A RING COMPRESSOR FOR COMPRESSING RINGS DURING INSTALLATION
- APPLY 20W-50 ENGINE OIL TO THE THREADS OF ALL CYLINDER HEAD NUTS, NUT BASES AND WASHERS
- TORQUE THE HEAD USING THE FACTORY SPECS (SHOWN BELOW)



CYLINDER HEAD TORQUE PROCEDURE	
STEP 1	TORQUE ALL NUTS (1-6) TO 10 FT*LB
STEP 2	TORQUE THE 10mm NUTS (1-4) TO 20 FT*LBS
STEP 3	TORQUE THE 10mm NUTS (1-4) TO 30 FT*LBS
STEP 4	TORQUE THE 10mm NUTS (1-4) TO 40 FT*LBS
STEP 5	TORQUE THE 8mm NUTS (5-6) TO 18 FT*LBS

IF YOU HAVE QUESTIONS OR CONCERNS, PLEASE CALL 866-892-2109 AND DISCUSS THEM WITH OUR KNOWLEDGEABLE STAFF



REVOLUTION
PERFORMANCE